

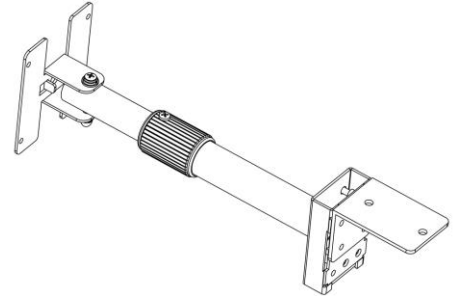
PVMMT75 Clamp-on Mount Installation Manual

Noting: This mount is only for VESA 75x75mm PVM/Monitors

Caution: Max Load Weight 6KG

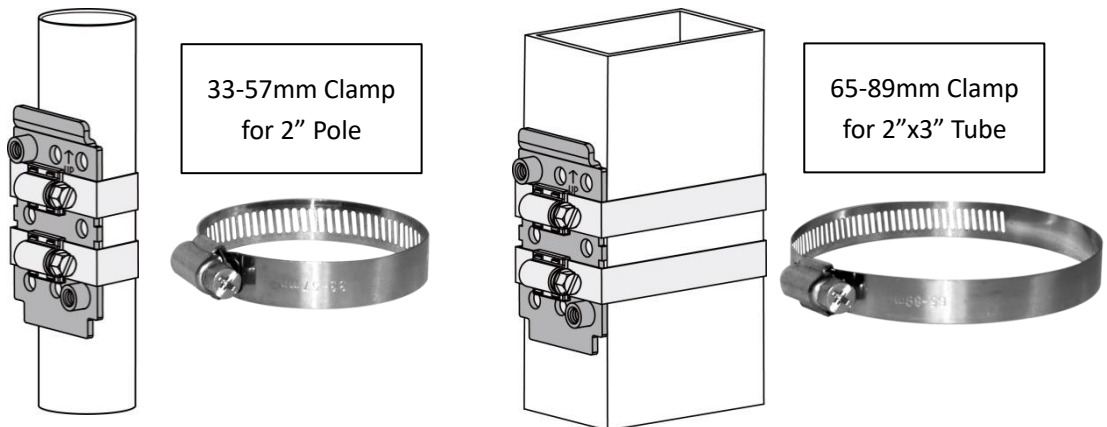
Accessory List

■ Solid Wrench	x1
■ Hexagonal Wrench	x1
■ 33-57mm Stainless Clamp	x2
■ 65-89mm Stainless Clamp	x2
■ M6x90 Screw	x2
■ Cushion for M6x90 Screw	x2
■ Cap for M6x90 Screw	x2
■ Metal Transfer Plate	x1
■ M6x12 Screw for Transfer Plate	x2

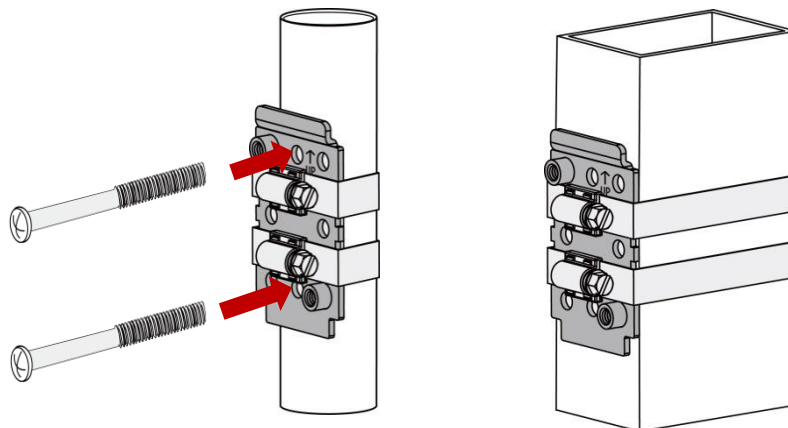


Installation

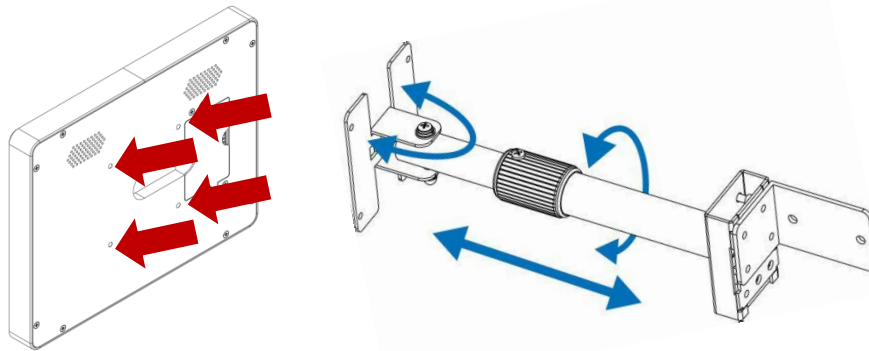
1) Attach the plate base to the pipe or tube, then use stainless clamp to fix.



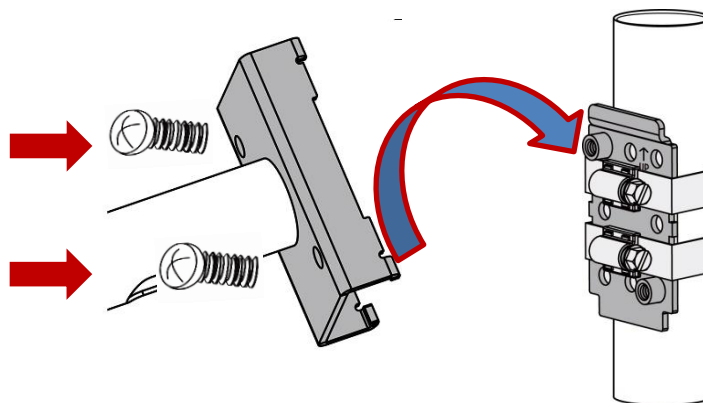
2) For added security to the clamps, you can also install 2pcs M6x90 screws to fix. (Please use cushion and cap to fix with M6x90 screw)



- 3) Use M4x8 screws to install the PVM with the VESA 75x75mm plate; and you can adjust the mounting angle/length as below by loosening the fixing screw.



- 4) Attach the whole mount bracket to the plate base, and then use M6x12 screws to lock the bracket and plate base.



- 5) In vertical mounting applications, you will need to use metal transfer plate. Then mount as above.

