

Televes reserves the right to modify the product

DAT BOSS MIX antenna

High-VHF/UHF

If the DAT BOSS can't receive it, nothing can

Intelligent antenna including the BOSS Techsystem, designed for quality reception of mixed High-VHF/UHF signals, optimizing the rejection of interference from other bands.

The antenna design provides the base UHF structure with three elements (dipole and two reflectors) specifically designed for High-VHF, thus allowing a combined reception of both bands.

The antenna is provided with a high-performance switch-mode power supply to complement the BOSS system, with a compact and pleasing design.

Ref.149483

Art.Nr

EAN13

8424450185414

Highlights

- High dynamic range: it allows the reception of high-quality TV in a variety of critical situations, from areas where signals are very weak to installations with high signal levels
- Expanded DTT coverage area: up to 27% higher than previous models
- More stable signal reception: it supports signal variations or fading with no effect on the TV installation
- Optimal C/N: thanks to a noise figure of only 1.2dB that enhances the received signal quality
- Very high gain: TForce technology provides BOSS with an increase in gain of up to 13dB

Main features

- The DAT design, based on 3 Yagi antennas with asymmetric directors, provides great directivity as well as an optimal anti-echo radiation pattern
- Special double-U dipole: its open/close format provides optimal frequency response flatness
- A fully shielded switch box protects the BOSS system from impulsive noise; grounded for full protection against

- electrical discharge
- Manufactured in aluminium (stainless) for a long service life
- Fully automated manufacturing in Europe under the most stringent quality controls: a synonym of high reliability
- Two work mode options: Intelligent low power consumption mode or passive mode (lack of power supply).

Discover

TForce technology:

Televes transitions from the traditional silicon era into a new era of electronic component design, allowing integrated circuits to be precisely manufactured for microwave frequency bands. Utilizing "State of the Art" MMIC technology TForce is manufactured using semiconductor compounds such as gallium arsenide (GaAs), providing the resulting products with unparalleled features and performance

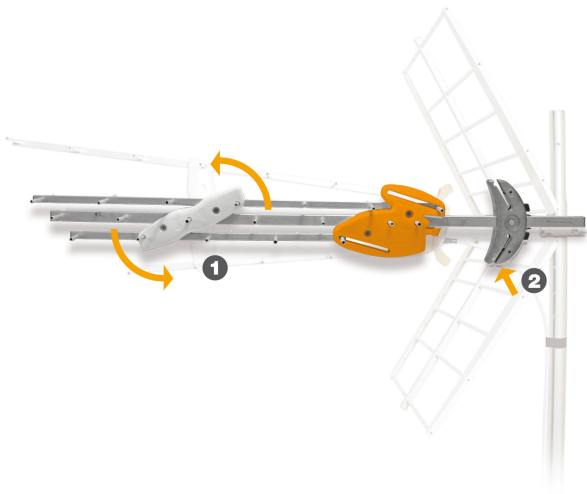
Televes has reinvented the antenna concept. Until now, an antenna was just the reception component of a TV installation in which gain and directivity were the main features. The introduction of a smart device like BOSS provides the antenna with the capacity to receive very weak signals without the risk of being affected by very strong signals, the result is a dynamic balance between weak and strong signals that provides optimum signal levels at all times: the "dynamic range" concept turns out to be the most outstanding among quality parameters.

The creation of TForce with BOSS technology using MMIC components is an extraordinary milestone in the optimization of the dynamic range. The technology that allowed the reception of lost signals from distant satellites is now allowing the enhancement of the coverage range in DTT installations.

Additional information

(Click to see the picture)

Mounting details



Antennas provided in multiple packing include both a structure folding mechanism and a cam mechanism in the antenna base to optimize transport and storage, while making installation easier.

Technical specifications

Operating band	MHz	174 - 216 (C.7 - C.13)		470 - 698 (C.14 - C.51)	
BOSS Mode		OFF	ON	OFF	ON
Gain	dBi	8.5	36.5 max.*	16	41 max.*
Output level	dBmV	--	Auto*	--	Auto*
Noise figure	dB	--	2 (typ)	--	2 (typ)
Signal level(recommended)	dBmV	>15	<15	>15	<15
Power Supply	V	0	12-24	0	12-24
Consumption	mA	--	40 max.	--	40 max.
Beamwidth	°	30			
Front-to-back ratio	dB	>12 (High VHF) >24 (UHF)			
Wind load	N	120 (@ 80miles/h) 165 (@ 93miles/h)			
Mast diameter	in	0.78...1.97			