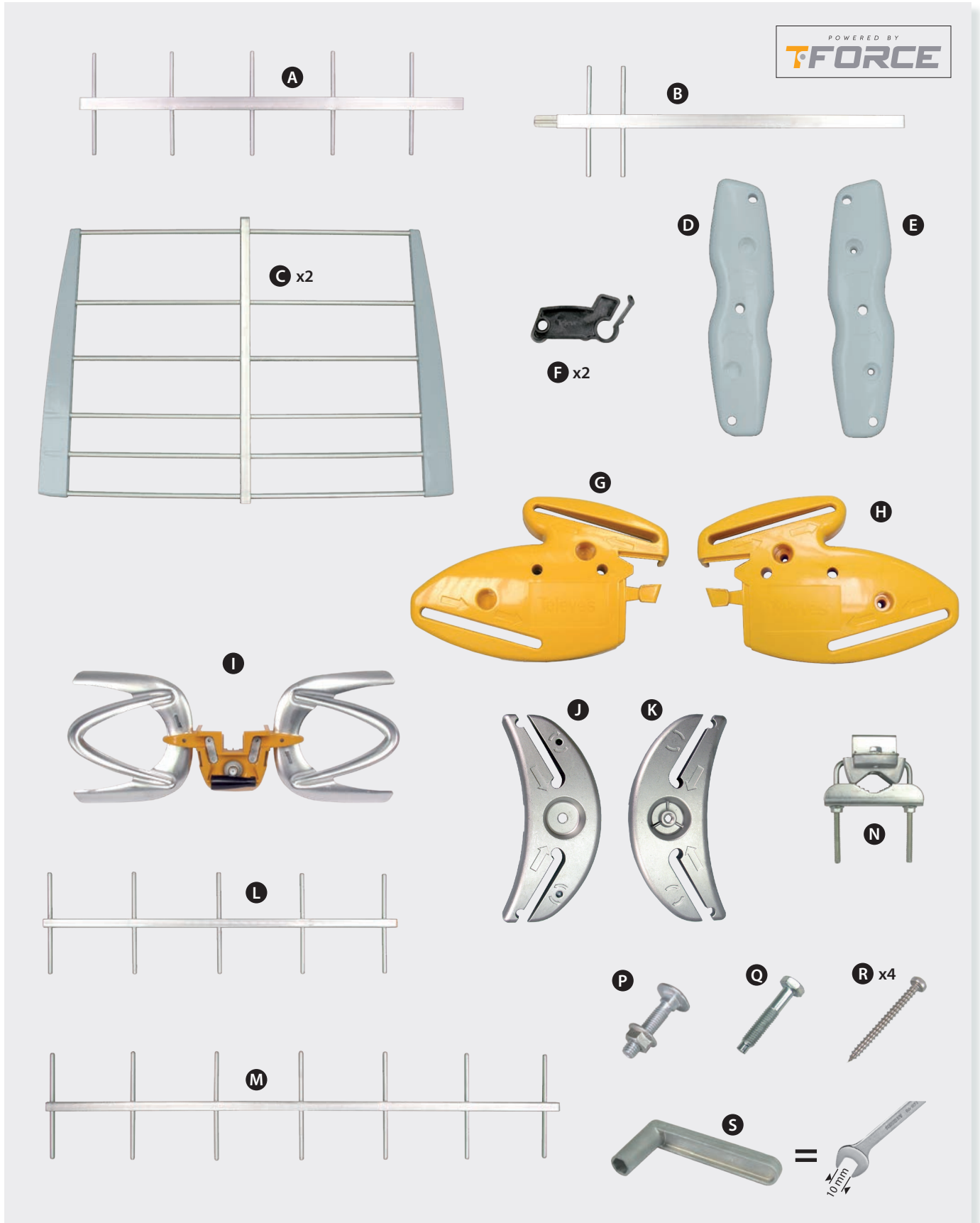
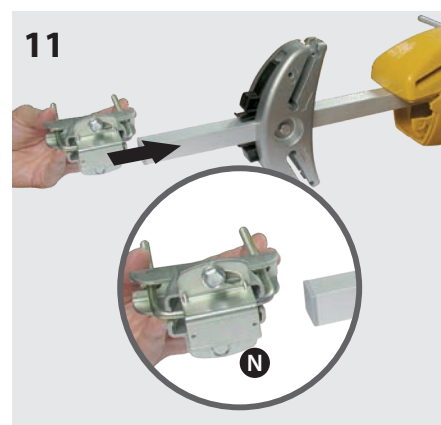
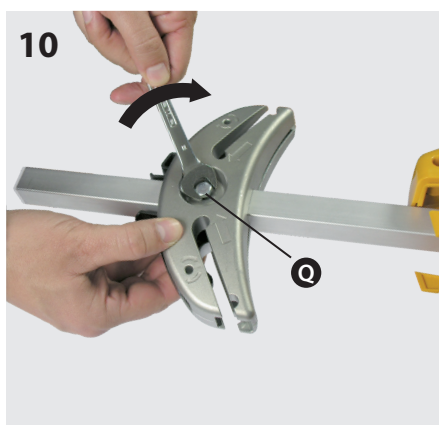
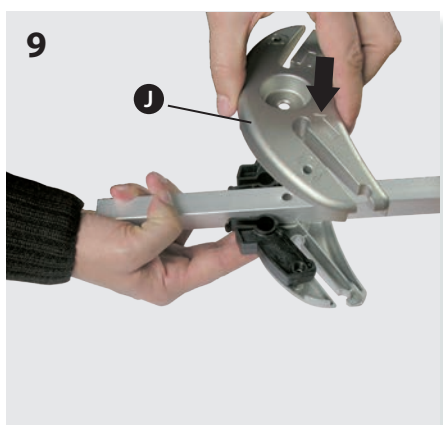
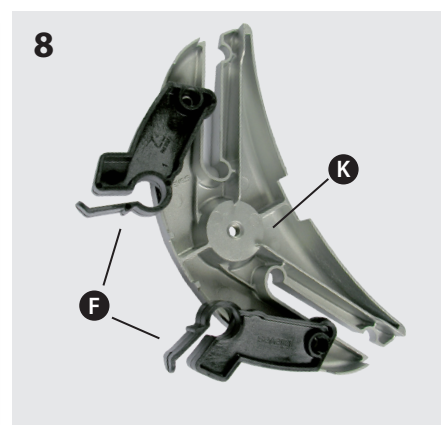
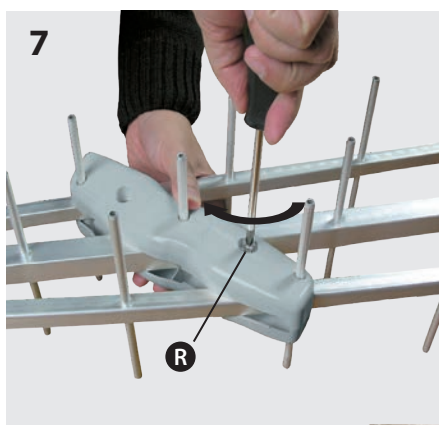
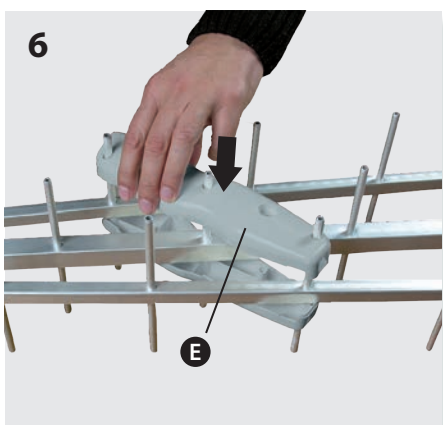
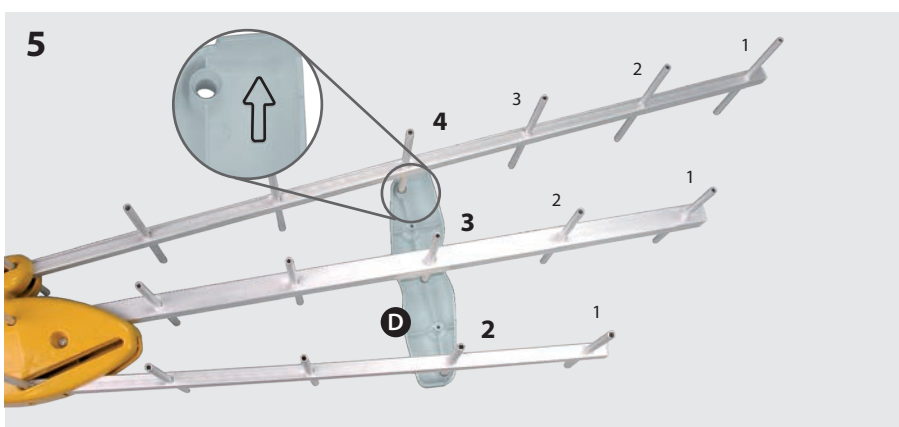
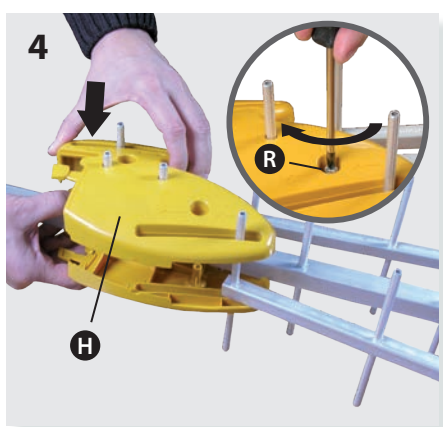
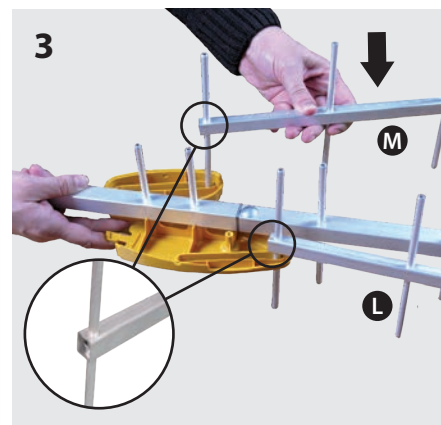
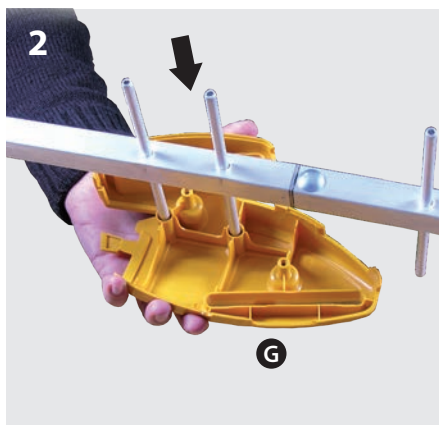
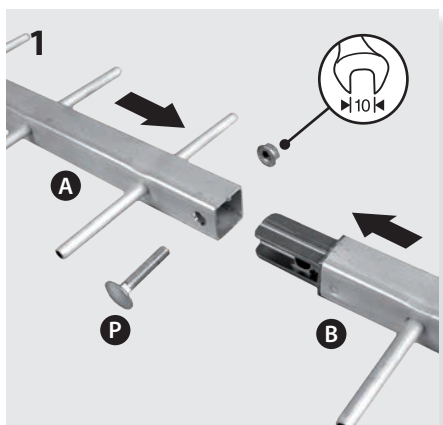


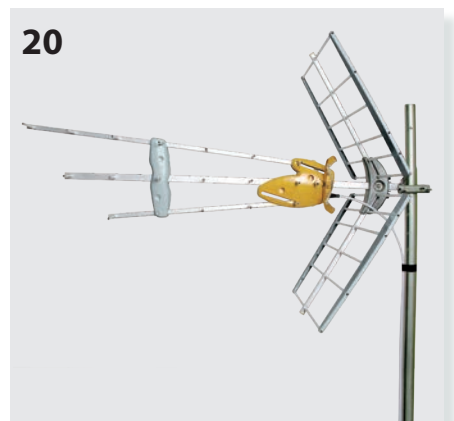
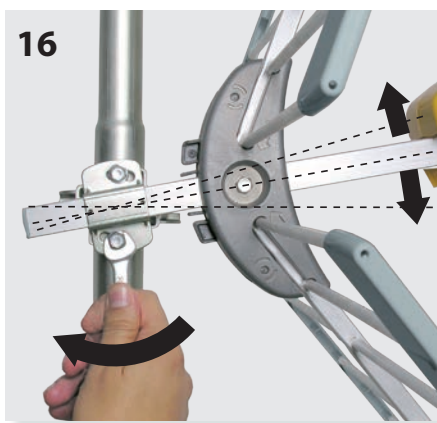
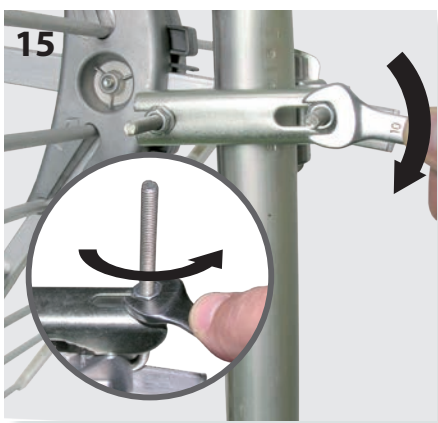
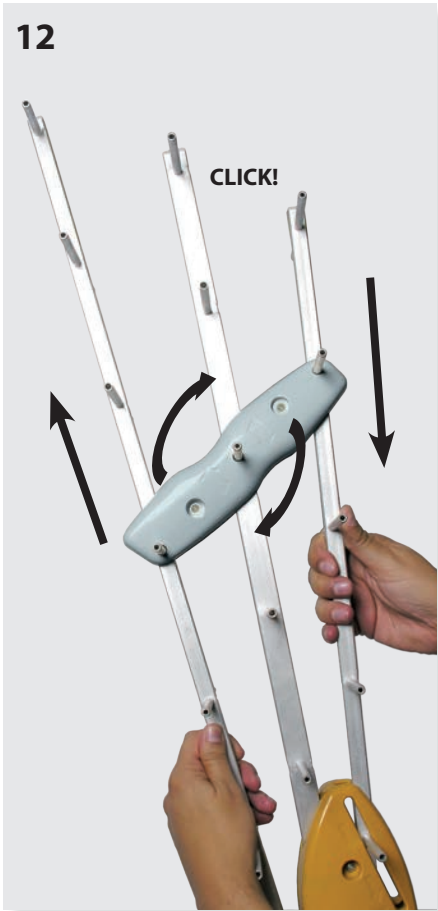
Antenna Kit / Kit Antena

Ref. 149983 (Ant-149921 + PSU-550104 + **S**)

DATBOSS







Technical specifications / Características técnicas

Mode	Modo		BOSS OFF (Passive)	BOSS ON (Active)
Operating band	Banda de trabajo	MHz	470 - 698 (CH14 - CH51)	
Gain	Ganancia	dBi	17	42 max.*
Output level	Nivel de salida		----	Auto*
Noise figure	Figura de ruido	dB	----	1.2 typ
Power supply	Alimentación	V=	0	12 - 24
Consumption	Consumo	mA	----	40 max
Beamwidth	Ancho de haz	°	30	
F/B ratio	Relación D/A	dB	>20	
Wind load	Carga al viento	N	120 (@ 80 miles/h) 165 (@ 93 miles/h)	

*The gain is automatically adjusted according to the output level / La ganancia varía automáticamente en función del nivel de salida.

How to activate the antenna's intelligence?



A00377

Mechanical accessories



A00378

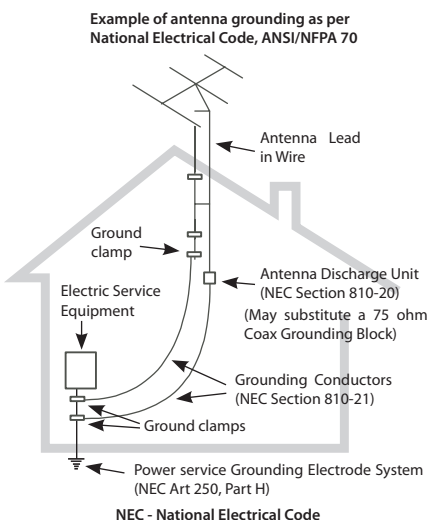
Safety Instructions:

LIGHTNING PROTECTION

- ◆ If installed outdoors, be sure the antenna system is grounded so as to provide protection against voltage surges and built-up static charges. Section 810 of the National Electrical Code ANSI/NFPA70, or CSA C22.1 sections 10, 16, and 54, of the Canadian Electrical Code, provide information with respect to proper grounding of the mast and supporting structure, grounding of the antenna lead-in wire to an antenna discharge unit, size of grounding conductors, location of antenna-discharge unit, connection to grounding electrodes, and requirements for the grounding electrode (see figure and instructions).
- ◆ Mount the lightning arrester or 75 ohm coaxial grounding block as close as possible to where the 75 ohm coaxial cable downlead enters the house.
- ◆ The ground wires for both the mast and the downlead should be copper or aluminum wire, number eight (8) or larger.
- ◆ The downlead wire from the antenna to the lightning arrester and the mast ground wire should be secured to the house, spaced from four (4) to six (6) feet apart.
- ◆ In the case of a "ground up" antenna installation it may not be necessary to ground the mast if the mast extends four or more feet in the earth. Consult a TV serviceman for the proper depth in your location.

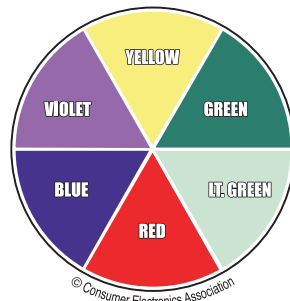
WARNINGS

- ◆ To prevent fire or shock hazard, do not expose the included power supply to rain or moisture.
- ◆ Installation of off-air antennas near power lines is dangerous. For your safety, follow the installation instructions.
- ◆ Any alteration or modification to the product or usage not in accordance with product instructions voids the warranty.

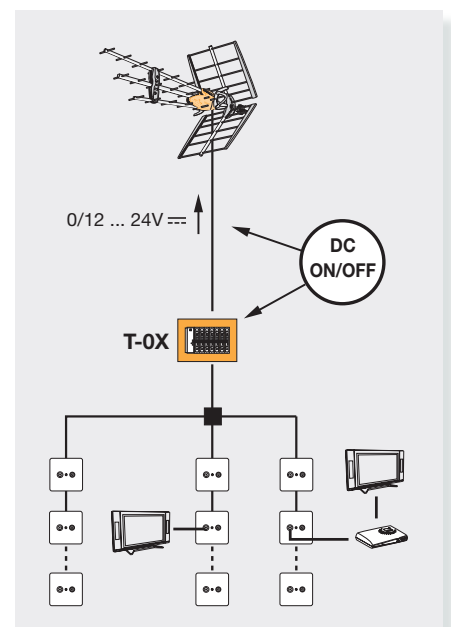
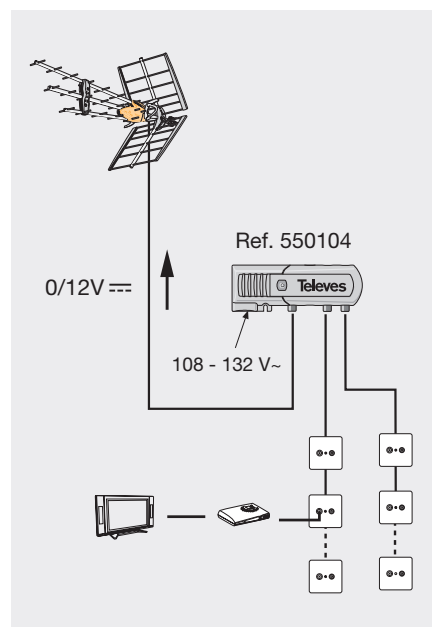
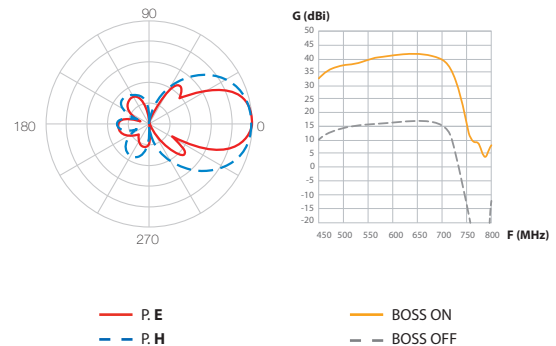


Antenna Selector

This antenna works in the following zone(s).



See the TV Antenna Selector Map to find the zone in which you live.



DECLARACIÓN DE CONFORMIDAD ■ DECLARATION OF CONFORMITY ■ DECLARAÇÃO DE CONFORMIDADE ■ DECLARATION OF CONFORMITE ■ DICHIARAZIONE DI CONFORMITÀ ■ DEKLARACJA ZGODNOŚCI ■ KONFORMITÄTSEKRLÄRUNG ■ ΠΙΣΤΟΠΟΙΗΤΙΚΟ ΣΥΜΜΟΡΦΩΣΗΣ ■ FÖRSÄKRAN OM ÖVERENSSTÄMMELSE ■ ДЕКЛАРАЦИЯ СООТВЕТСТВИЯ ■ بيان المطابقة

► <https://doc.televes.com>

