



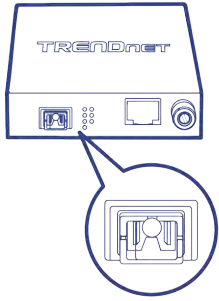
1000BASE-T to SFP Fiber Media Converter

TFC-1000MGA (v2.0R)

- 1 x 100/1000BASE-T RJ-45 port
- 1 x 100/1000BASE-SX/LX SFP slot
- LLCF support (Link Loss Carry Forward)
- SFP slot accommodates multi-mode or single-mode modules
- Functions as a standalone converter or with the TFC-1600 fiber chassis
- Auto-MDIX 1000BASE-T RJ-45 port supports full-duplex mode
- Lifetime Warranty

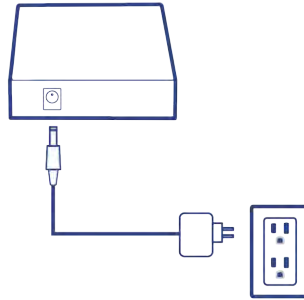
TRENDnet's 1000BASE-T to SFP Fiber Media Converter, model TFC-1000MGA, is a reliable Plug-and-Play SFP-to-Ethernet converter in a compact form factor. This versatile SFP media converter supports both Multi-Mode and Single-Mode fiber SFP modules for transmission distances of up to 120km (74.56 mi.).

The SFP slot and Gigabit Ethernet port both support 100Mbps and 1000Mbps transmission speeds. Diagnostic LEDs on the front of the converter convey device status. Our TFC-110 and TFC-1000 series fiber converters can be installed as standalone units, or they can be used with TRENDnet's expandable 16-Bay Fiber Converter Chassis System (model TFC-1600).



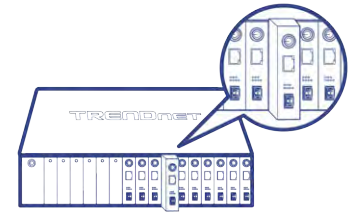
Dual-Speed SFP Slot

Dual-speed SFP slot supports both 100Mbps and 1000Mbps SFP modules.



Power Adapter

The SFP fiber converter includes a power adapter for standalone use.



TFC-1600 Chassis Compatible

Functions as a standalone SFP media converter, or can be used with TRENDnet's expandable 16-Bay Fiber Converter Chassis System, model TFC-1600 (sold separately).

NETWORKING SOLUTION



100/1000BASE-SX/LX SFP slot
LED indicators
100/1000BASE-T RJ-45 port



Power Adapter (5V DC, 1A)

FEATURES



Network Ports

1 x 100/1000Mbps RJ-45 copper port and 1 x 100/1000Mbps dual-speed SFP slot



Switching Capacity

2Gbps switching capacity



Jumbo Frame

SFP media converter sends larger packets, or jumbo frames (up to 10KB), for increased performance

SPECIFICATIONS

Standards

- IEEE 802.3 (10Base-T)
- IEEE 802.3u (100Base-TX)
- IEEE 802.3u (100Base-FX)
- IEEE 802.3ab (1000Base-T)
- IEEE 802.3z (1000Base-SX/LX)

Device Interface

- 1 x Gigabit port
- 1 x 100/1000Base-SX/LX Mini-GBIC slot for optional SFP modules
- LED indicators

Network Media

- 10/100Base-TX: Cat.5 EIA/TIA-568 100-ohm UTP/STP, up to 100m
- 1000Base-T: Cat.5e or Cat.6 EIA/TIA-568 100-ohm UTP/STP, up to 100m
- Multi-mode fiber optic cable 50/125 μm, up to 550m
- Multi-mode fiber optic cable 62.5/125 μm, up to 220m
- Single-mode fiber optic cable 9/125 μm, up to 120km (TEG-MGBS120)

Protocol

- CSMA/CD

Dip Switch

- LLCF (enable & disable)

Data Transfer Rate

- Gigabit Ethernet: 2000 Mbps (full duplex)

Jumbo Frame

- Up to 10KB

Power

- Input: 100 – 240V AC, 50 – 60Hz, 0.2 A
- Output: 5 V DC, 1A external power adapter
- Consumption: 2.63 W (max.)

Special Features

- Support LLCF (Link Loss Carry Forward) and built-in LLR (Link Loss Return)
- Status LED indicators for Power and Link/Activity
- Wall mountable
- Optional 19" system chassis (TFC-1600), houses up to 16 TFC-100/1000 series Media Converters

Operating Temperature

- 0° – 40° C (32° – 104° F)

Operating Humidity

- Max. 90% non-condensing

Dimensions

- 120 x 88 x 25mm. (4.7 x 3.46 x 0.98 in.)

Weight

- 280g (9.8 oz.)

Certifications

- CE
- FCC

Warranty

- 3 year

Package Contents

- TFC-1000MGA
- Quick Installation Guide
- Power Adapter (5V DC, 1A)

TRENDnet offers a lifetime warranty on selected fiber networking products that have been purchased in the United States/Canada on or after 1/1/2019.

All references to speed are for comparison purposes only. Product specifications, size, and shape are subject to change without notice, and actual product appearance may differ from that depicted herein.