

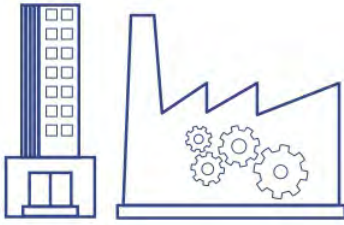


## Hardened Industrial 100/1000Base-T to SFP Media Converter

TI-F11SFP (v2.0R)

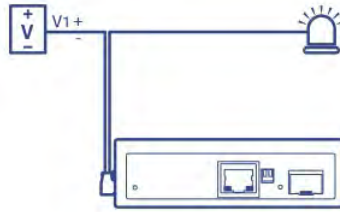
- Hardened IP30 rated 100/1000Base-T Ethernet to SFP converter
- SFP port accommodates Multi or Single Mode fiber modules
- Up to 80km fiber networking distances with the TEG-MGBS80 SFP module
- Operating temperature range of -40° – 75° C (-40° – 167° F)
- 12 – 56V DC power input with overload current protection
- Includes DIN-Rail and wall mounts
- Powers supply sold separately (model TI-M6024)

TRENDnet's TI-F11SFP is a reliable IP30 rated 100/1000Base-T to SFP media converter with hardened components rated for extreme industrial environments. Set 100Mbps or 1000Mbps throughput speeds, Auto Negotiation, and Link Fault Pass Through (LFP) using the front panel dip switches. 12 – 56V DC power input with overload current protection. (power supply sold separately: TI-M6024).



### Industrial Applications

Networks devices for manufacturing, general industrial, warehousing, surveillance, and corporate applications.



### Alarm Relay

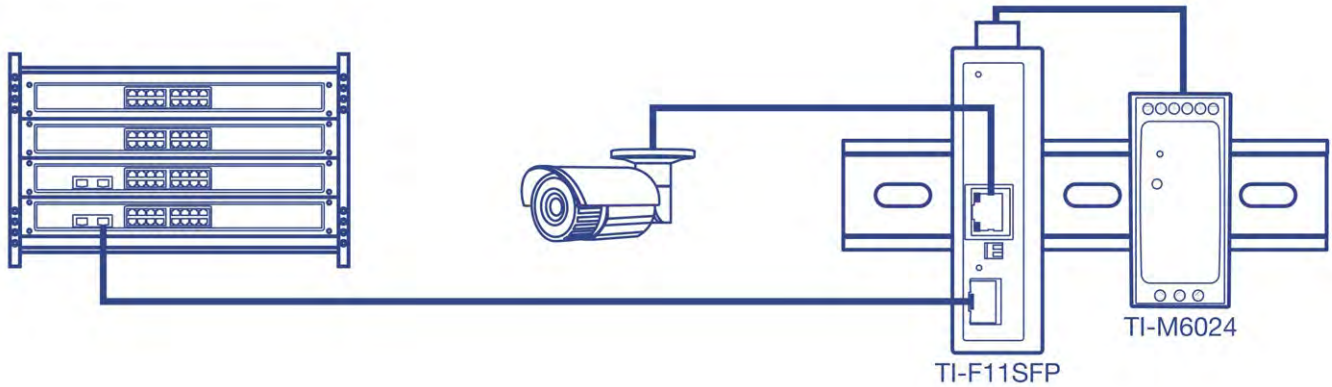
12 – 56V DC power input with overload current protection.



### Industrial Hardened Design

Designed with a rugged IP30 rated housing, resistance to a high degree of vibration and shock, protection against ESD/EMI/surge, and operates within a wide operation temperature range (-45° - 75° C (-40°a – 167° F)).

## NETWORKING SOLUTION



## FEATURES



### Network Ports

1 x Gigabit Ethernet port and 1 x SFP slot



### Dip Switches

1: Turns LFP (Link Fault Pass Through) on/off  
2: Turns LFP (Link Fault 2: Set SFP speed to 100Mbps or 1000Mbps



### DIN-Rail/Wall Mounts

IP30 rated metal enclosure with included DIN-rail and wall mount hardware



### Alarm Relay

12 – 56V DC power input with overload current protection (power supply sold separately: model TI-M6024)



### Jumbo Frame

Sends larger packets, or Jumbo Frames (up to 16KB), for increased performance



### Wide Temperature Range

A wide operating temperature range of -40° – 75° C (-40° – 167° F) allows for installations in industrial environments with extreme hot or cold conditions



### Electro Magnetic Compliance

Complies with FCC Part 15 Subpart B Class A and CE EN 55022 Class A standards



### Certifications

Rated for information technology (ITE) equipment (EN55022/24), and industrial, scientific, and medical (ISM) Equipment (EN55011)



### Shock and Vibration Resistant

Rated for shock (IEC 60068-2-27), freefall (IEC 60068-2-32), and vibration (IEC 60068-2-6)



### Grounding Point

Grounding point protects equipment from external electrical surges



### Switching Capacity

2Gbps switching capacity

## SPECIFICATIONS

### Standards

- IEEE 802.3
- IEEE 802.3u
- IEEE 802.3ab
- IEEE 802.3z
- IEEE 802.3x

### Device Interface

- 1 x Gigabit port
- 1 x Gigabit SFP slot
- 4-pin removable terminal block
- LED indicators
- DIP Switch
- DIN-Rail mount
- Wall mount
- Grounding point

### Data Transfer Rate

- Ethernet: 10Mbps (half duplex), 20Mbps (full duplex)
- Fast Ethernet: 100Mbps (half duplex), 200Mbps (full duplex)
- Gigabit: 2000Mbps (full duplex)
- Fiber: 2000Mbps (full duplex)

### Performance

- Data RAM Buffer: 1MB
- Jumbo Frame: 16KB

### Special Features

- Hardened components rated for extreme temperatures
- 12 – 56V DC power input
- Alarm Relay
- Auto-Negotiation
- Auto store and forward architecture
- Automatic address learning and address aging
- ESD 8KV and Surge 2KV protection

### Power

- Input: 12 – 56V DC
- Compatible power supply: TI-M6024 (sold separately)
- Max. consumption:
  - 1.8W @12VDC
  - 2.16W @24VDC
  - 3W @48V
  - 3.36W @56VDC

### Terminal Block

- Power input: 4-pin terminal block
- Wire range: 0.34mm<sup>2</sup> to 2.5mm<sup>2</sup>
- Solid wire (AWG): 12-24/14-22
- Stranded wire (AWG): 12-24/14-22
- Torque: 5 lb. – In / 0.5Nm / 0.56 Nm
- Wire strip length: 7-8mm

### DIP Switch

- 1: Turns LFP (Link Fault Pass Through) on/off
- 2: Set SFP speed to 100Mbps or 1000Mbps

### MTBF

- 510,304 hours

### Housing

- IP30 metal case
- DIN-Rail mount
- Wall mount
- Grounding point
- 8KV ESD protection
- 2KV surge protection

### Operating Temperature

- -40° – 75° C (-40° – 167° F)

### Operating Humidity

- Max. 95% non-condensing

### Dimensions

- 103 x 80 x 31mm (4.1 x 3.2 x 1.2 in.)

### Weight

- 142g (5 oz.)

### Certifications

- CE
- FCC
- Shock (IEC 60068-2-27)
- Freefall (IEC 60068-2-32)
- Vibration (IEC 60068-2-6)
- IEC 61000-4-2
- IEC 61000-4-4
- IEC 61000-4-5

### Warranty

- 3 year

### Package Contents

- TI-F11SFP
- Quick Installation Guide
- Removable terminal block
- DIN-Rail / wall mount kit

All references to speed are for comparison purposes only. Product specifications, size, and shape are subject to change without notice, and actual product appearance may differ from that depicted herein.