



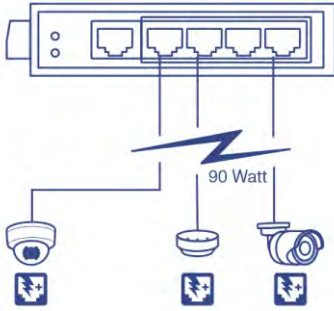
5-Port Industrial Fast Ethernet PoE+ DIN-Rail Switch

TI-PE50 (v1.0R)

- 4 x Fast Ethernet PoE+ ports
- 1 x Fast Ethernet port
- 90W PoE power budget
- 1Gbps switching capacity
- Hardened IP30 rated metal switch
- Includes DIN-Rail mount and wall mount brackets
- Wide operating temperature range of -40° – 75°C (-40° – 167°F)
- Dual inputs provide redundant power with overload current protection
- Power supply sold separately (model: TI-S12048)
- Lifetime Warranty*

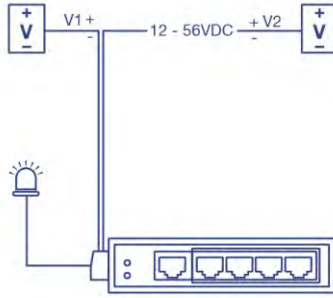
TRENDnet's Industrial Fast Ethernet PoE+ DIN-Rail Switches feature a rugged IP30 rated metal enclosure. These industrial unmanaged PoE+ switches are designed to withstand a high degree of vibration and shock, while operating in both high and low temperatures for industrial environments within -40° – 75° C (-40° – 167° F). Redundant power inputs with overload current protection on each industrial unmanaged PoE+ switch minimizes network downtime.

Installers and integrators can save on equipment costs and reduce installation time with TRENDnet's Industrial Fast Ethernet Switches by delivering up to 30W per port of PoE power and data over existing Ethernet cables. With PoE technology, users only need one set of cables to deliver both data and power from the industrial unmanaged PoE+ switch. With these industrial unmanaged PoE+ switches, easily network PoE devices such as high-power wireless access points, PTZ and other advanced IP cameras, VoIP phone systems, IPTV decoders, access controls, and more.



PoE+ Power

A 90W PoE+ power budget supplies up to four Power over Ethernet devices with PoE+ power.



Fault Tolerance

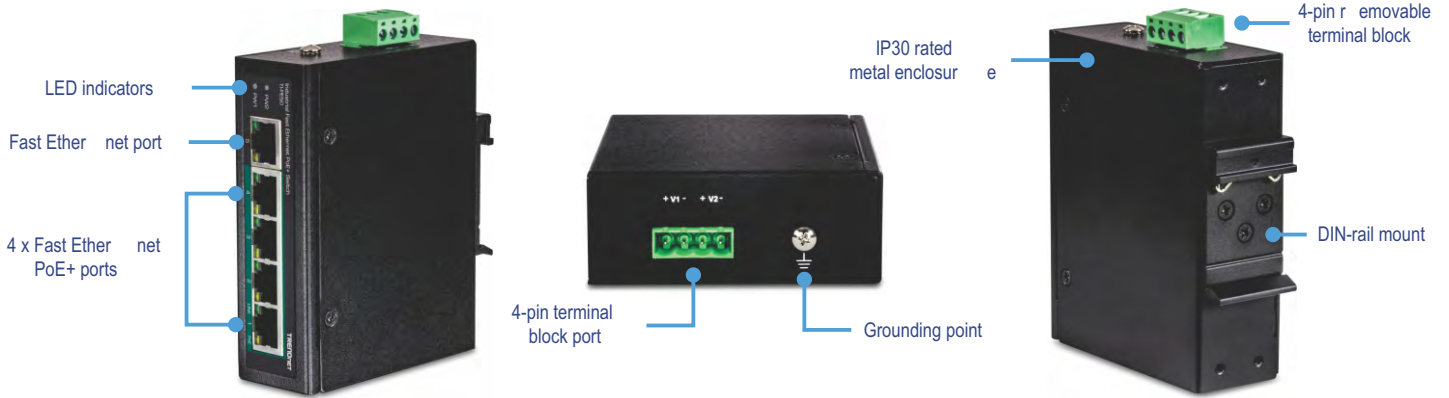
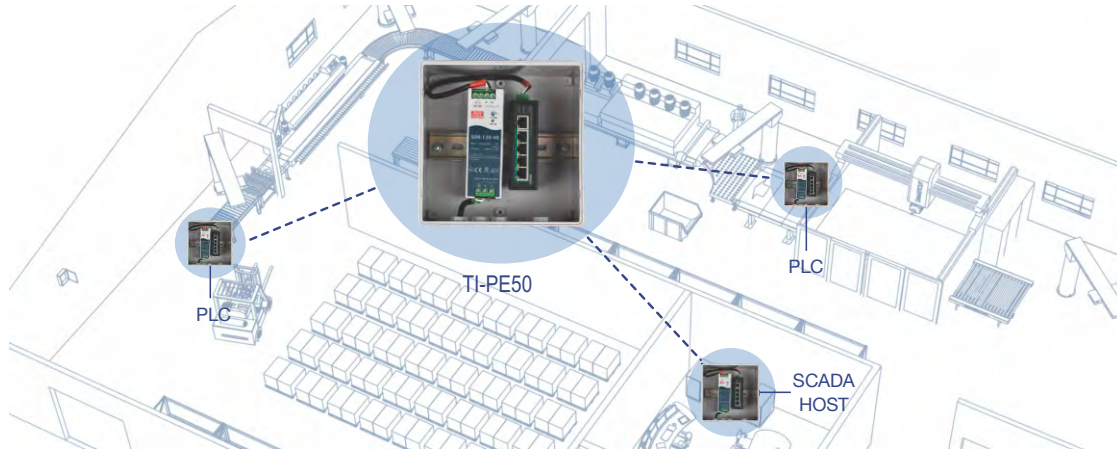
The industrial Ethernet switch features dual redundant power inputs.



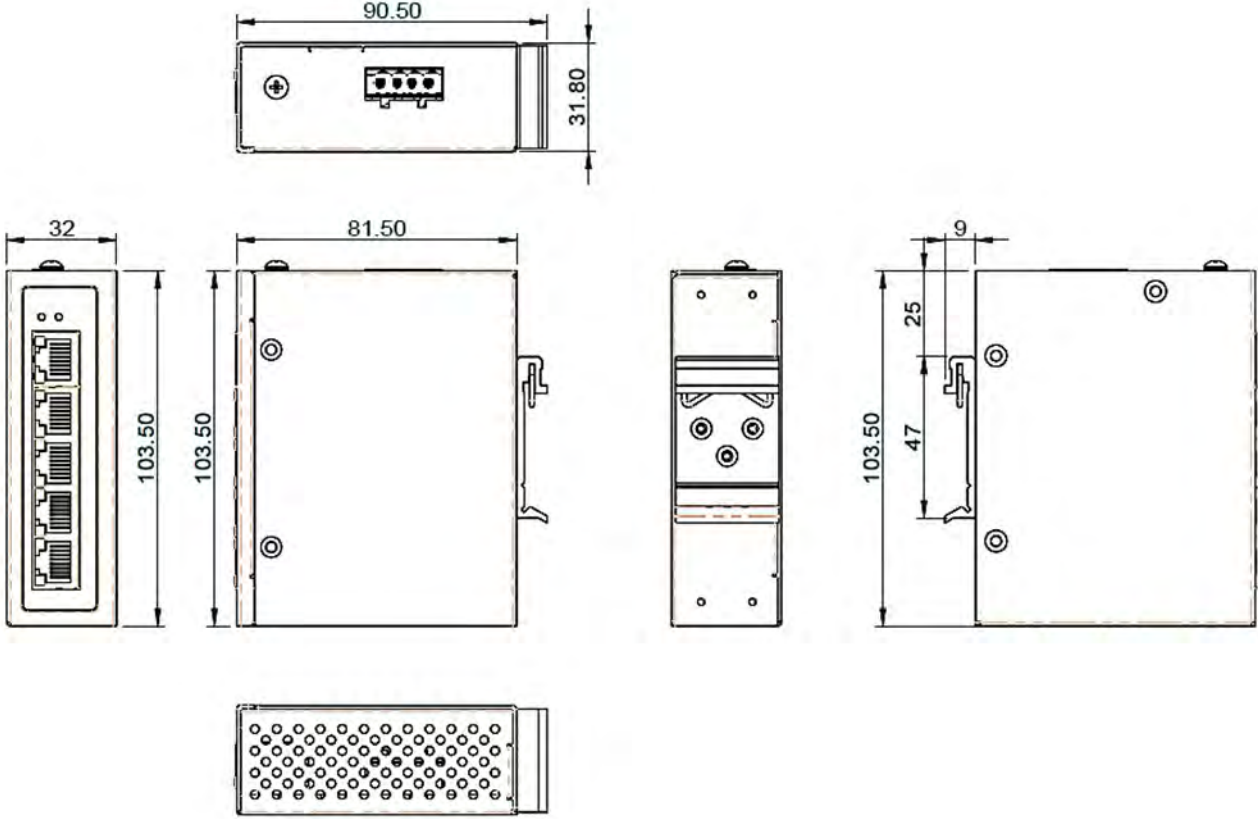
Industrial Hardened Design

Equipped with a rugged IP30 rated housing, designed to withstand a high degree of vibration, shock, and operate within a wide temperature range of -40 – 75°C (-40 – 167°F).

NETWORKING SOLUTION



Housing Dimension (mm)



FEATURES



PoE+ Power

The industrial Ethernet switch features a 90W PoE+ power budget to supply up to four Power over Ethernet devices with PoE+ power



Easy Installation

No configuration needed, simply connect PoE+ network devices to the industrial Ethernet switch



DIN-Rail / Wall Mounts

IP30 rated metal enclosure with included DIN-Rail mount and wall mount hardware



Fast Ethernet Ports

4 x Fast Ethernet PoE+ ports and 1 x Fast Ethernet port



Wide Temperature Range

A wide operating temperature range of -40° – 75° C (-40° – 167° F) allows for installations in industrial environments with extreme hot or cold conditions



Redundant Power

Redundant power inputs with overload current protection (power supply sold separately, model: TI-S12048)



Switching Capacity

Industrial Ethernet switch with 1Gbps switching capacity



Grounding Point

Industrial Ethernet switch with grounding point to protect equipment from external electrical surges



Shock and Vibration Resistant

Rated for shock (EN 60068-2-27), freefall (EN 60068-2-32), and vibration (EN 60068-2-6)

SPECIFICATIONS

Standards

- IEEE 802.3
- IEEE 802.3u
- IEEE 802.3x
- IEEE 802.3af
- IEEE 802.3at

Device Interface

- 4 x 10/100Mbps PoE+ ports
- 1 x 10/100Mbps port
- 4-pin removable terminal block
- LED indicators
- DIN-Rail mount
- Wall mount
- Grounding point

Data Transfer Rate

- Ethernet: 10Mbps (half duplex), 20Mbps (full duplex)
- Fast Ethernet: 100Mbps (half duplex), 200Mbps (full duplex)

Performance

- Data RAM Buffer: 56KB
- Switching Fabric: 1Gbps
- MAC Address Table: 1K entries
- Forwarding rate: 0.1488Mpps (64-byte packet size)

Special Features

- Hardened components rated for extreme temperatures
- Dual power inputs
- Auto-Negotiation
- Auto store and forward architecture
- Automatic address learning and address aging
- ESD 8KV and Surge 2KV protection

Power

- Input: 48 - 56 V DC
- Compatible power supply: TI-S12048 (sold separately)
- Max. consumption: 2.24W

Terminal Block

- Redundant power inputs, 4 pin
- Wire range: 0.34mm² to 2.5mm²
- Solid wire (AWG): 12-24/14-22
- Stranded wire (AWG): 12-24/14-22
- Torque: 5 lb. – In / 0.5Nm / 0.56 Nm
- Wire strip length: 7-8mm

MTBF

- 708,903 hours

Housing

- IP30 metal case
- DIN-rail mount
- Wall mount
- Grounding point
- 8KV ESD protection
- 2KV surge protection

Operating Temperature

- - 40° – 75° C (-40° – 167° F)

Operating Humidity

- Max. 95 % non-condensing

Dimensions (L x W x H)

- 103 x 82 x 31mm (4 x 3.2 x 1.2 in.)

Weight

- 160g (5.7 oz.)

Certifications

- CE
- FCC
- Shock (IEC 60068-2-27)
- Freefall (IEC 60068-2-32)
- Vibration (IEC 60068-2-6)

Warranty

- Lifetime warranty*

Package Contents

- TI-PE50
- Quick Installation Guide
- Removable terminal block
- DIN-rail / wall mount kit

TRENDnet offers a limited lifetime warranty for all of its metal-enclosed network switches that have been purchased in the United States/Canada on or after 1/1/2015. Cooling fan and internal power supply carry a one-year warranty.

All references to speed are for comparison purposes only. Product specifications, size, and shape are subject to change without notice, and actual product appearance may differ from that depicted herein.