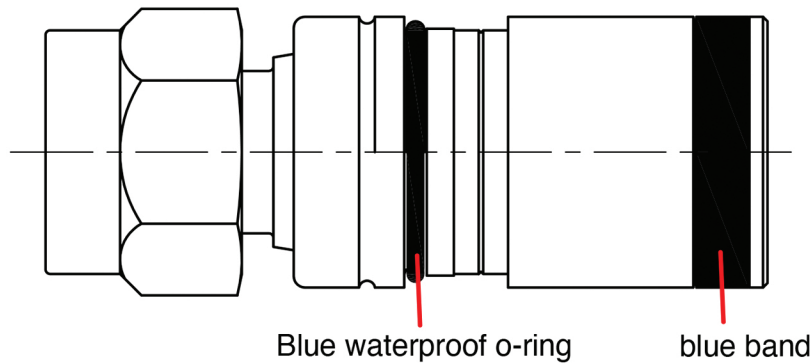
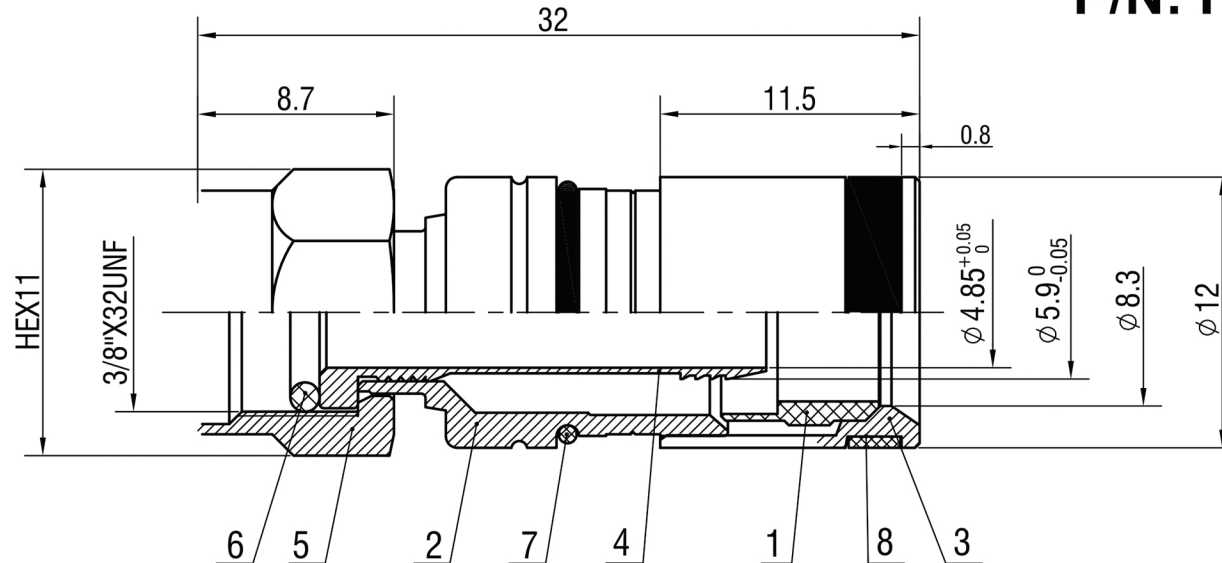


F-Type Coaxial Compression Connector Specification

P/N: F-RG6U-50PK



S/N	Component	Quantity	Material	Color/Finish Coating
1	Plastic Cement	1	Polyformaldehyde[POM]	White
2	Main Inner Body	1	Brass	Nickel plating
3	Outer Body	1	Brass	Nickel plate
4	Internal tubule	1	Brass	Copper-Tin alloy plating
5	Nut	1	Brass	Nickel plate
6	Waterproof O-Ring	1	Oil Resistant Adhesive	Black
7	Seal O-ring	1	Silicon rubber	Blue
8	Color band	1	Silicon rubber	Blue

