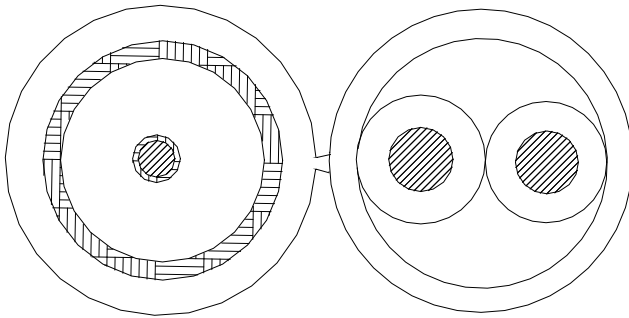




Direct Burial Outdoor Siamese RG59 + 18/2 Cable



Electrical Performance

Frequency (MHz)	Attenuation (dB/100m)
50	2.282
100	3.265
200	4.753
400	6.952
700	9.398
1000	11.441
2000	17.300
2200	18.376

Description

Reference Standard **SCTE IPS-SP-001, UL 1655, UL13, UL 444**

Construction

RG 59 Coax		
Center Conductor		Copper Clad Steel
AWG		20
Diameter	(inches)	0.35
Insulation		Foamed PE
Nom. Thickness	(inches)	0.0559
Insulation Diameter	(inches)	0.1441
Braid Shield		Copper Clad Aluminum
Coverage Area	(%)	95
Power 18/2		
Conductor		Solid Copper
AWG		18
Number of Conductors		2
Number of Strands		7
Insulation		PVC
	Power Cable	CCTV
Jacket	PE	PE
Nom. Thickness (inches)	0.0307	0.0314
Cable Diameter (inches)	0.208	0.261
Nominal Weight	500'	18 lbs.
	1,000'	33 lbs.

Electrical Characteristics

Temperature Rating	(°C)	-40 to 60
Impedance	(± 3.0 Ohms)	75
Capacitance	(pF/ft)	15.5
Conductor DCR@20° C	(ohms/1000ft)	28.6
Velocity of Propagation	(%)	84
ROHS Compliant		Yes

Cable Marking

RG 59/U 95% 2C 18AWG UV RATED OUTDOOR DIRECT BURIAL
XXXXXX C(ETL)US ****FT

Part Numbers

Part Numbers	Color	Put-up	
H59+182JOSPBK2	Black	1,000'	Reel
H59+182JOSPBK3-500	Black	500'	RIB