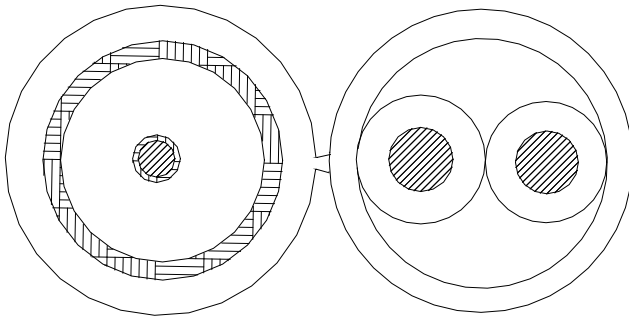




# Direct Burial Outdoor Siamese RG59 + 18/2 Cable



### Electrical Performance

Frequency (MHz)	Attenuation (dB/100m)
50	2.282
100	3.265
200	4.753
400	6.952
700	9.398
1000	11.441
2000	17.300
2200	18.376

### Description

Reference Standard **SCTE IPS-SP-001, UL 1655, UL13, UL 444**

### Construction

<b>RG 59 Coax</b>		
<b>Center Conductor</b>		<b>Copper Clad Steel</b>
AWG		20
Diameter	(inches)	0.35
<b>Insulation</b>		<b>Foamed PE</b>
Nom. Thickness	(inches)	0.0559
Insulation Diameter	(inches)	0.1441
<b>Braid Shield</b>		<b>Copper Clad Aluminum</b>
Coverage Area	(%)	95
<b>Power 18/2</b>		
<b>Conductor</b>		<b>Solid Copper</b>
AWG		18
Number of Conductors		2
Number of Strands		7
<b>Insulation</b>		<b>PVC</b>
	<b>Power Cable</b>	<b>CCTV</b>
<b>Jacket</b>	<b>PE</b>	<b>PE</b>
Nom. Thickness (inches)	0.0307	0.0314
Cable Diameter (inches)	0.208	0.261
<b>Nominal Weight</b>	<b>500'</b>	<b>18 lbs.</b>
	<b>1,000'</b>	<b>33 lbs.</b>

### Electrical Characteristics

Temperature Rating	(°C)	-40 to 60
Impedance	(± 3.0 Ohms)	75
Capacitance	(pF/ft)	15.5
Conductor DCR@20° C	(ohms/1000ft)	28.6
Velocity of Propagation	(%)	84
ROHS Compliant		Yes

### Cable Marking

RG 59/U 95% 2C 18AWG UV RATED OUTDOOR DIRECT BURIAL  
XXXXXX C(ETL)US \*\*\*\*FT

### Part Numbers

Part Numbers	Color	Put-up	
H59+182JOSPBK2	Black	1,000'	Reel
H59+182JOSPBK3-500	Black	500'	RIB