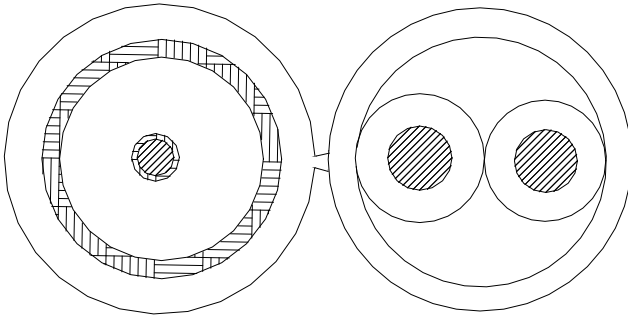


# Combo Siamese Cable RG59 + 18/2 Power Cable



### Electrical Performance

Frequency (MHz)	Attenuation (dB/100m)
1	1.15
50	5.71
100	8.20
200	11.61
400	16.73
700	22.15
1000	28.87

### Construction

<b>Center Conductor</b>		<b>Solid Copper</b>
AWG		20
Diameter	(inches)	0.03228
<b>Insulation</b>		<b>Skin Foamed PE</b>
Nom. Thickness	(inches)	0.0559
Insulation Diameter	(inches)	0.14409
<b>Braid Shield</b>		<b>Copper Clad Aluminum</b>
Coverage Area	(%)	95

### Electrical Characteristics

Temperature Rating	(°C)	-20 to 60
Impedence	(± 3.0 Ohms)	75
Capacitance	(pF/ft)	15.5
Conductor DCR@20° C	(ohms/1000ft)	28.6
Velocity of Propagation	(%)	84
ROHS Compliant		Yes

### Power

<b>Center Conductor</b>		<b>CCA</b>
AWG		<b>18</b>
<b>Jacket</b>	<b>PVC</b>	<b>PVC</b>
Nom. Thickness (inches)	0.0307	0.0314
Cable Diameter (inches)	0.1756	0.2358

### Cable Marking

RG59/U 95% 2C 18AWG \*\*\*\*FT

### Part Numbers

Part #	Color	Put-up	
H59+182NVMBK2	Black	1,000'	Reel
H59+182NVMWH2	White	1,000'	Reel
H59+182NVMBK3-500	Black	500'	RIB
H59+182NVMWH3-500	White	500'	RIB