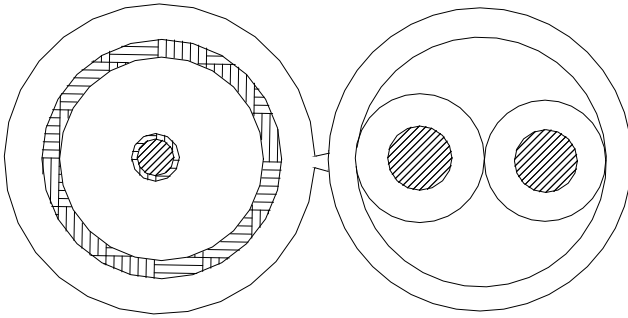


Combo Siamese Cable RG59 + 18/2 Power Cable



Electrical Performance

Frequency (MHz)	Attenuation (dB/100m)
1	1.15
50	5.71
100	8.20
200	11.61
400	16.73
700	22.15
1000	28.87

Construction

Center Conductor		Solid Copper
AWG		20
Diameter	(inches)	0.03228
Insulation		Skin Foamed PE
Nom. Thickness	(inches)	0.0559
Insulation Diameter	(inches)	0.14409
Braid Shield		Copper Clad Aluminum
Coverage Area	(%)	95

Electrical Characteristics

Temperature Rating	(°C)	-20 to 60
Impedence	(± 3.0 Ohms)	75
Capacitance	(pF/ft)	15.5
Conductor DCR@20° C	(ohms/1000ft)	28.6
Velocity of Propagation	(%)	84
ROHS Compliant		Yes

Power

Center Conductor		CCA
AWG		18
Jacket	PVC	PVC
Nom. Thickness (inches)	0.0307	0.0314
Cable Diameter (inches)	0.1756	0.2358

Cable Marking

RG59/U 95% 2C 18AWG ****FT

Part Numbers

Part #	Color	Put-up	
H59+182NVMBK2	Black	1,000'	Reel
H59+182NVMWH2	White	1,000'	Reel
H59+182NVMBK3-500	Black	500'	RIB
H59+182NVMWH3-	White	500'	RIB