

### 90 DAY LIMITED WARRANTY

Winegard Company warrants this Winegard product against any defects in materials or workmanship within 90 (ninety) days from date of purchase. No warranty claim will be honored unless at the time the claim is made, you present proof of purchase to an authorized Winegard dealer (if unknown, please contact Winegard Company, 3000 Kirkwood Street, Burlington, IA 52601-2000, Telephone 800-288-8094).

Winegard Company (at its option) will either repair or replace the defective product at no charge to you. This warranty covers parts, but does not cover any costs incurred in removal, shipping or reinstallation of the product. This limited warranty does not apply if the product is damaged, deteriorates, malfunctions or fails from: misuse, improper installation, abuse, neglect, accident, tampering, modification of the product as originally manufactured by Winegard, usage not in accordance with product instructions or acts of nature such as damage caused by wind, lightning, ice or corrosive environments such as salt spray and acid rain.

The 90 Day Warranty is provided on the condition that the equipment is properly delivered with all handling and freight charges prepaid to your Winegard dealer for return to our factory for repair or replacement. Winegard dealers will arrange for the replacement or repair and return to you without charge the product which failed due to defective material or workmanship.

WINEGARD COMPANY WILL NOT ASSUME ANY LIABILITIES FOR ANY OTHER WARRANTIES, EXPRESS OR IMPLIED, MADE BY ANY OTHER PERSON.

ALL OTHER WARRANTIES WHETHER EXPRESS, IMPLIED OR STATUTORY INCLUDING WARRANTIES OF FITNESS FOR A PARTICULAR PURPOSE AND MERCHANTABILITY ARE LIMITED TO THE 90-DAY PERIOD OF THIS WARRANTY.

The foregoing shall be the sole and exclusive remedy of any person, whether in contract, tort or otherwise, and Winegard shall not be liable for incidental or consequential damage or commercial loss, or from any other loss or damage except as set forth above.

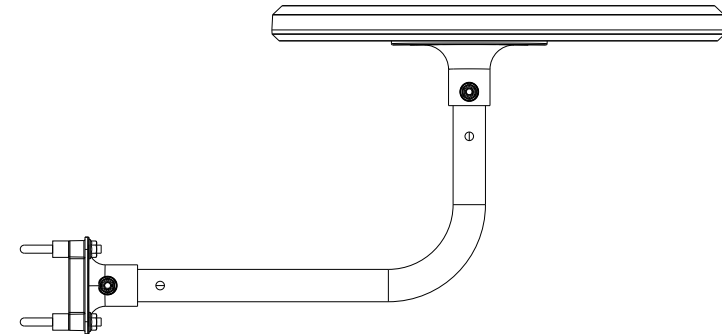
Some states do not allow limitations on how long an implied warranty lasts, or the exclusion of limitation of incidental or consequential damages, so the above limitations or exclusions may not apply to you.

This warranty gives you specific legal rights and you may also have other rights which vary from state to state.

Rev. 2/08



## OMNIDIRECTIONAL TV ANTENNA



### SPECIFICATIONS

- Range up to 55 miles\*
- For high VHF and UHF channels
- Install it outside on poles, railings, roofs, or walls
- Built-in amplifier
- Antenna head diameter: 14"

*\*May vary depending on the direction of the TV transmitter tower, tower height, tower transmitted output power, receiving antenna height, weather, and local terrain.*

Register your product at  
[winegard.com/myantenna](http://winegard.com/myantenna)



**NOTE:** The omnidirectional TV antenna is powered by either the 110V adapter (included) or through the USB cable connected directly to the TV. If you're replacing a previous model, you'll also need to replace the power adapter and inserter.

**WARNING:** INSTALLING ANTENNAS NEAR POWERLINES IS DANGEROUS. FOR YOUR SAFETY, FOLLOW THE INSTALLATION INSTRUCTIONS. TO PREVENT FIRE OR SHOCK HAZARD, DO NOT EXPOSE POWER SUPPLY TO RAIN OR MOISTURE.

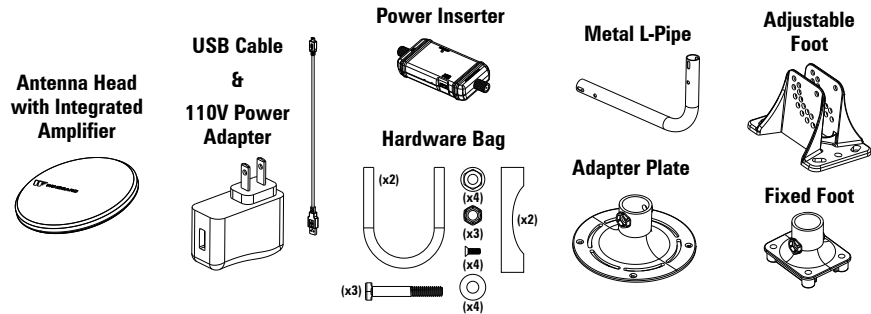


2452454

Printed in U.S.A. © 2017, Winegard Company | Rev1 11-20 2452454

2452454  
Rev1 11-20

## PARTS



## INSTALLATION: OUTDOOR

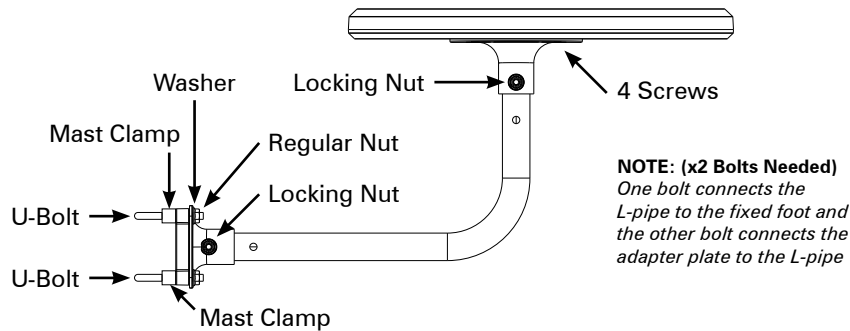
**STEP 1.** Run a coax cable (not included) through the L-pipe and adapter plate.

**STEP 2.** Connect the coax cable to the antenna head.

**STEP 3.** Use the four screws to fix the adapter plate to the antenna head.

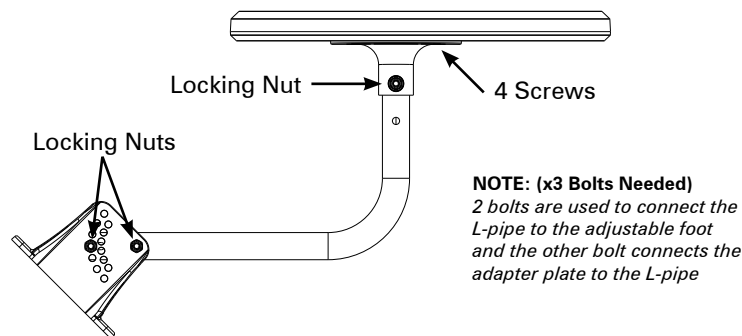
### STEP 4. - OPTION 1

Mounting against a mast, railing or wall: Connect the fixed foot to the surface, & then secure the L-pipe using the U-bolt installation.



### OPTION 2

Mounting on a roof: Connect the adjustable foot to the roof surface, and then secure the L-pipe using the U-bolt installation.



## INSTALLATION: INDOOR

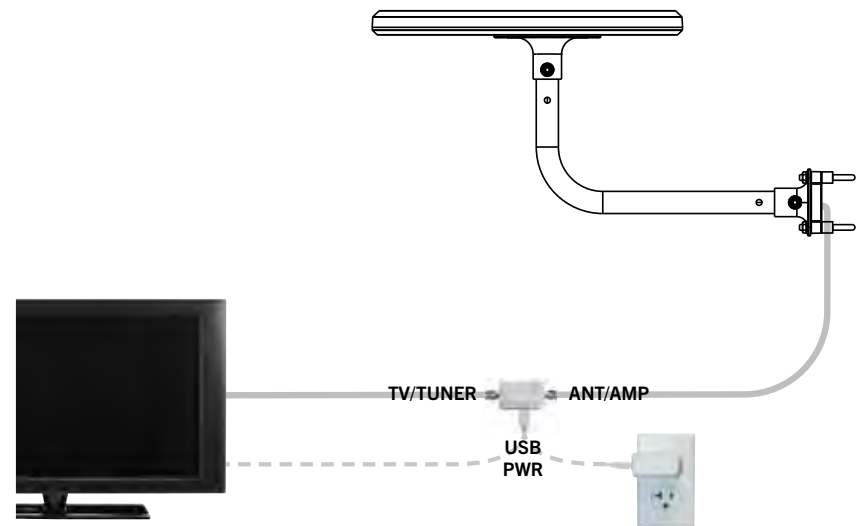
**STEP 5.** Connect antenna-attached coax cable to the power inserter marked **ANT**.

**STEP 6.** Connect a coax cable to the power inserter marked **TV** and then connect it to the TV itself.

**STEP 7.** Turn on the power inserter by attaching the USB cable and connecting it to the TV directly. Or, use the 110V power adapter.

**STEP 8.** Switch on the TV, run a channel scan, and start watching free TV.

**TIP:** If using a splitter to distribute signal to more than one TV, connect the USB cable to the 110V power adapter instead of the TV USB port.



### TIPS:

If splitting the signal to multiple TVs or combining with another signal source, it is strongly recommended that the power inserter be installed between the antenna and the splitter/combiner input. In this case, the cable connection from the "TV" jack of the power inserter goes to the splitter input or valid combiner input. Use splitters rated from 54-806 MHz or wider bandwidth (commonly 5-1000 MHz) for over-the-air television signal distribution.

Additional distribution/inline amplifiers must be installed FOLLOWING the TV output of the power inserter, NOT on the download cable line connecting to the ANT/AMP port. Check TV picture quality and antenna alignment prior to adding additional line amplifiers.

A maximum antenna-to-power inserter length of 150 feet RG-6 or 150 feet RG-59 is acceptable.