



# INSTALLATION INSTRUCTIONS FOR SURE SAFE® MODEL 3720P-A PERMANENT MOUNT LED WARNING LIGHT

Your choice of a Wolo warning light is the perfect choice to complement your vehicle. Wolo's warning lights are manufactured with the finest materials. Each light is tested to meet our high standards before it is packaged, to ensure a perfect working light. Our quality workmanship and components are Wolo's assurance of a product that will provide years of dependable service. If you need help using your new Wolo warning light, our technicians are available to answer your questions, Monday thru Friday, from 9 AM to 4 PM EST at 1-888-550-4676.

## MOUNTING:

**IMPORTANT:** Vehicle roof construction varies for most vehicles as well as driving conditions. The vehicle should never be driven with this warning light unless securely mounted to the vehicle as outlined in this manual. If the light is not secured to the vehicle as outlined in this manual, it is possible that the light could dislodge off the mounting surface and cause damage, injury or death.

Ignoring this warning shall be the sole responsibility of the installer and or vehicle owner.

**IMPORTANT:** The installer should not modify the lights' mounting system or use hardware other than what is supplied by Wolo.

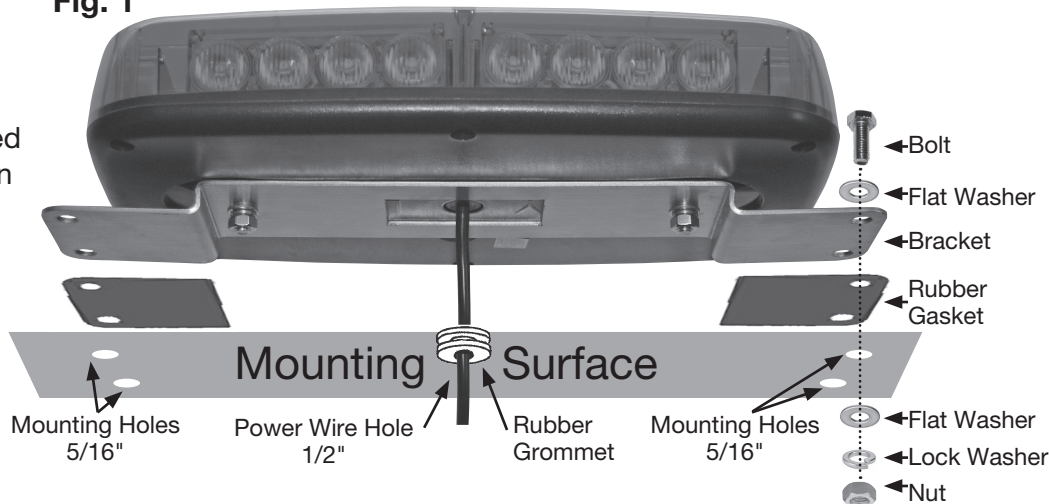
## MOUNTING WARNING LIGHT

**IMPORTANT:** If the warning light is being mounted onto the roof of the vehicle, always protect the interior headliner from damage that could be caused when drilling the holes for the light bar's mounting and power cable. Always allow a minimum distance of 6" to 8" between the roof and headliner by lowering the headliner before drilling the access hole.

**IMPORTANT:** Always de-burr the drilled holes by using a round file to ensure there are no sharp edges.

1. Locate the desired location where you wish to mount the warning light. For best results you should make sure the lens is unobstructed so that the light can be seen 360 degrees.

**Fig. 1**



2. Position the warning light in the desired mounting location. Using the light's mounting bracket as a template, mark the four-mounting hole locations (Fig. 1).
3. Tilt the light slightly and mark the mounting hole location for the power wire (Fig. 1).
4. Remove the warning light from mounting surface.
5. Drill the four mounting holes to size 5/16" and one-hole 1/2" for the power wire.
6. Push the entire power wire through the 1/2" access hole.
7. There is a rubber grommet that was factory installed onto the power wire, insert the grommet into the access hole and seal around the grommet with silicone or similar sealant to prevent water leaks (Silicone not provided).
8. Place the rubber gasket under the lights mounting bracket, align the bracket holes with the drilled holes.
9. Secure the light to the mounting surface with the hardware provided in kit (Fig. 1).

## MOUNTING SWITCH CONTROL PANEL:

Using double face tape or screws

**IMPORTANT:** Locate the warning lights switch controller so it can be easily reached in order to insure the vehicle can be operated safely under all driving conditions.

### TAPE METHOD

10. Select a mounting location for the control panel that is easy to reach. **IMPORTANT:** Be sure that the switch control panel or its wires will not interfere with air bags or the driver's vision.
11. Using the double-sided foam adhesive tape provided, mount the control panel to selected location. Make sure that mounting surface is free from dust, wax etc. A clean surface is necessary so that double-sided tape will hold properly. **IMPORTANT:** Allow 24 hours for maximum holding power of the adhesive, limit moving or putting pressure onto the switch controller.

### SCREW METHOD (Fig. 2A and 2B)

12. Remove the control panel's backing plate using a flat tip screwdriver (Fig 2A).
13. Using the backing plate as a template, mark the two-hole locations onto the mounting surface where the switch panel will be mounted and drill to size using a 3/16" drill (Fig. 2B). **IMPORTANT:** The installer must carefully inspect both sides of the mounting location before drilling any holes to ensure that there are no components, wires and or any vehicle part that could be damaged by drilling.
14. Position the backing plate on the mounting surface and secure using the two sheet metal screws provided that have the countersunk head.
15. The control panel is carefully pushed onto the backing plate.

Fig. 2A

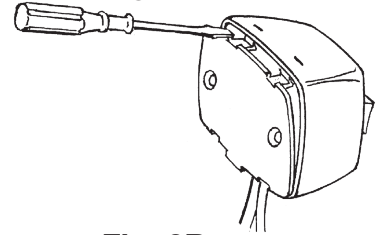
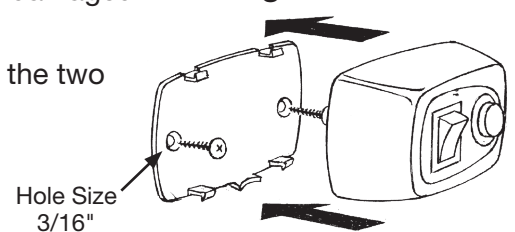


Fig. 2B



### WIRING: (Fig. 3)

**IMPORTANT:** The installer must inspect the selected location to ensure that there are no components, wires and or any other vehicle part that could be damaged by drilling.

**IMPORTANT:** The installer must make sure that the location selected for mounting of the switch controller is not near an air bag deployment surface.

**WARNING:** Carefully inspect the interior driver's area to make sure that the warning lights wires, or the vehicle's electrical system wires are not interfering with the operation of vehicle's controls; accelerator, brake, clutch pedals, air bags, etc.

16. Connect the warning light's red wire to (+) 12-volts, battery, alternator, fuse block, etc. The connection must be free of oxidation and rust.

**IMPORTANT:** The 3-amp inline fuse provided must be used at the power source to properly protect the vehicle.

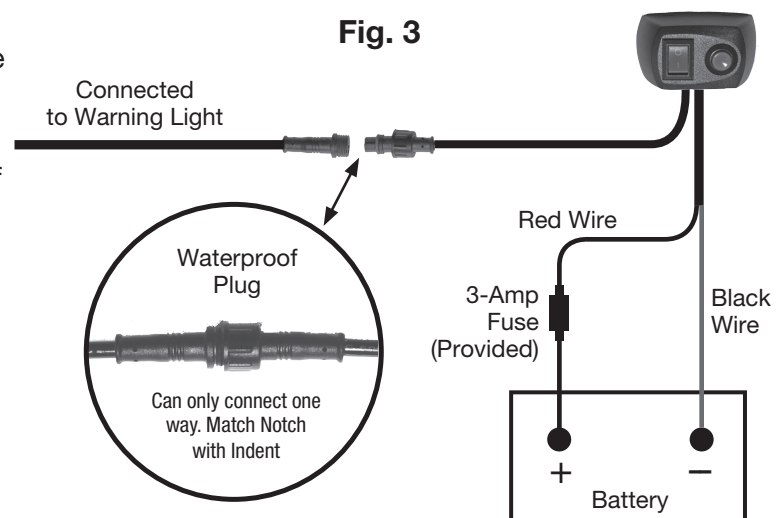
17. Connect the warning light's black wire to ground, any metal body bolt that is clean of paint and rust or the (-) post of the battery.

18. The switch controller's wire with a female waterproof plug is connected to the male plug that is connected to the warning light. Slide the male plug into the female plug.

**NOTE:** The plugs can only connect in one position. Tighten the shoulder nut fully to ensure a good waterproof connection.

19. Inspect all wiring and make sure all connections are secure.

Fig. 3



## **INSTALLATION IS COMPLETE**

20. Position the on/off switch to ON, the warning lights will turn on. Press and release the red push button to change the light pattern.

## **CHANGING LIGHT PATTERN:**

There are seven (7) different light patterns to choose from. Press and release the red button on the switch controller and the light pattern will change. Each time the pattern switch is pressed and released the light pattern will change.

## **CLEANING:**

A scratched, dull or dirty lens can cause a reduction in brightness of warning light. Never use a caustic or petroleum base cleaner on any surface of the warning light. For best cleaning results, always use household glass cleaner or mild soap with a soft lint free rag.

## **SPECIFICATIONS:**

Voltage: 11~15-Volt DC

Peak Current: 1.63 amps light pattern 7

Six-(6) Light modules each containing four 1-watt GEN 3 LEDs

Light Patterns: 7

Stainless steel bracket for permanent mounting

L 10-1/2 in. x W 6 in. x H 2-1/2 in.

### **Warranty**

Wolo Manufacturing Corporation ("Wolo") warranties to the original purchaser, for three months from the date of purchase, that this product is free from defects in workmanship and materials. If there is such a proven defect, Wolo, at its option, will either repair or replace the item free of charge, if it is returned to Wolo within three months from the date of purchase together with proof of purchase as described below. Wolo reserves the right to inspect any defect prior to settling any warranty claim by repair or replacement. This warranty is limited as above provided and Wolo will not be responsible for fire or other casualty or accident, due to neglect, abuse, abnormal use, modifications, faulty installation of this product, or natural causes.

ANY EXPRESSED WARRANTY NOT PROVIDED HEREIN IS EXCLUDED AND DISCLAIMED. THE IMPLIED WARRANTIES OF MERCHANTABILITY AND OF FITNESS FOR A PARTICULAR PURPOSE ARE EXPRESSLY LIMITED TO A TERM OF THREE (3) MONTHS. UNDER NO CIRCUMSTANCES SHALL WOLO BE LIABLE TO PURCHASER OR ANY OTHER PERSON FOR ANY SPECIAL OR CONSEQUENTIAL DAMAGES, WHETHER ARISING OUT OF BREACH OF WARRANTY OR OTHERWISE.

To obtain warranty service, return the product prepaid, and include the original bill of sale showing the date of purchase. Provide with the return a brief description of the problem with a daytime telephone number. Also, include with the return a check or money order in the amount of \$20.00 to cover return shipping.

Mail to:

**Wolo Manufacturing Corp.**  
Attn: Warranty Service  
One Saxwood Street, Deer Park, NY 11729  
E-mail: tech@wolo-mfg.com