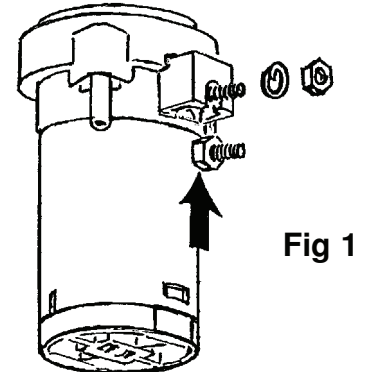


INSTALLATION INSTRUCTIONS FOR MODELS 400, 402 403, 404, 405, 415, 417, 415-MC

The addition of a Wolo horn kit for your vehicle will provide an extra level of sound. The Wolo name, with more than twenty years experience, is your guarantee of a superior horn product. If you need help installing your new Wolo horns, our technicians are available to answer your questions, Monday through Friday from 9 AM to 4 PM EST 1 888-550-Horn (4676).

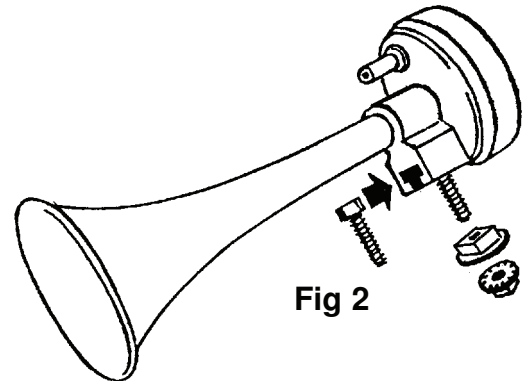
COMPRESSOR MOUNTING FIG. #1

1. Install the compressor in the engine compartment in a dry location and safe from engine and exhaust manifold heat.
2. To secure the compressor drill one 3/16 in. hole. Mount the compressor **vertically** (air outlet on top). Install the head of the bolt into the slot on the compressor housing. Secure the compressor to the vehicle using the lock washer/nut provided.



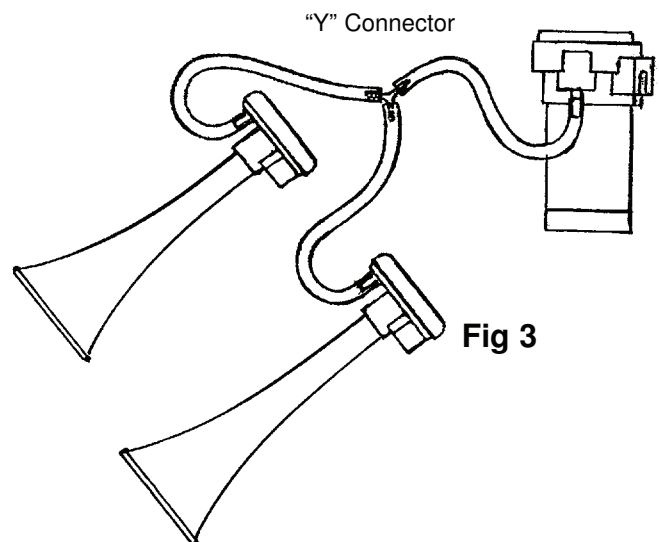
TRUMPETS MOUNTING FIG. #2

3. Position each trumpet with open end facing down, mark and drill a 1/4 in. hole for each trumpet. Secure to vehicle (refer to Figure B). Use mounting hardware in order shown – spacer, lock washer/nut.
4. **Important:** Mount trumpets with the open ends facing down. This will prevent water from entering into the trumpets and compressor. **Water damage to the horn's component parts is not covered by our factory warranty.**



PLASTIC TUBING INSTALLATION FIG. #3

5. Cut plastic air tubing to length, and connect trumpet using the "Y" provided. Avoid making any kinks or sharp bends in tubing that will restrict airflow and alter the horn's sound.



WIRING COMPRESSOR FIG. #4

6. **Electrical Connections – Using Vehicle's Factory Horn Switch**

IMPORTANT: You are not required to use the relay supplied with the kit because the vehicle factory system already has a relay.

A. For two (2) wire systems: If a vehicle's factory horn has two (2) terminals, simply transfer the wires to the compressor's terminals.

IMPORTANT: when testing the horns, if compressor motor turns on but the horn does not sound, reverse the wires connected at the bottom of the compressor.

B. For one (1) wire systems: If a vehicle's factory horn has one (1) terminal simply transfer wire to the compressor's positive (+) terminal.

C. Using a 16-gauge wire, the compressors' negative terminal is connected to any metal body bolt. A ground connection should be free of rust and paint.

7. Electrical Connections for a New Horn Button Switch:

Install the relay in a dry location with the terminals facing downward near the compressor. Refer to Figure D for wiring
D. Connect relay terminal 87 to the positive terminal at the bottom of the compressor. Use no less than a 16-gauge wire.

E. Connect relay terminal 85 to the horn switch terminal. The other horn switch terminal is connected to ground, (body of vehicle). An 18-gauge wire is suggested for this connection.

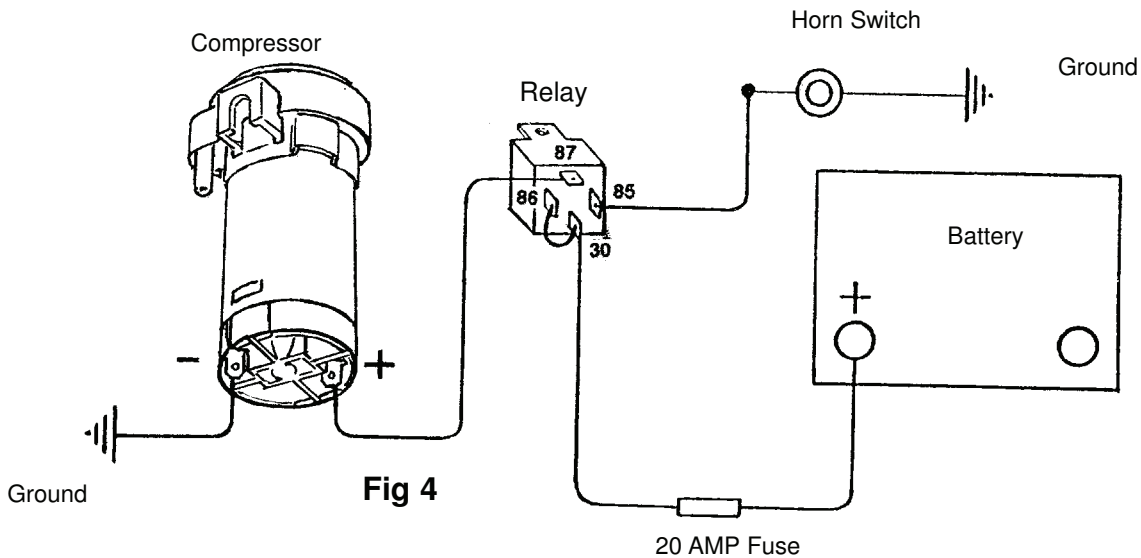
F. Connect relay terminals 30/86 to positive (+) 12-volt battery, alternator or accessories. Use 16-gauge or heavier wire. A 20-ampere fuse is suggested to be installed as shown in Figure D.

G. Recap of Terminal Connections for New Horn Switch:

Terminals: 30/86: the two terminals are connected to 12 volt positive (+) using a fuse.

Terminal: 85: connect horn switch negative (-)

Terminal: 87: connect positive (+) terminal of compressor.



Electrical Connections for a New Horn Button Switch

Warranty

Wolo Manufacturing Corporation ("Wolo") warranties to the original purchaser, for three months from the date of purchase, that this product is free from defects in workmanship and materials. If there is such a proven defect, Wolo, at its option, will either repair or replace the item free of charge, if it is returned to Wolo within three months from the date of purchase together with proof of purchase as described below. Wolo reserves the right to inspect any defect prior to settling any warranty claim by repair or replacement. This warranty is limited as above provided and Wolo will not be responsible for fire or other casualty or accident, due to neglect, abuse, abnormal use, modifications, faulty installation of this product, or natural causes.

ANY EXPRESSED WARRANTY NOT PROVIDED HEREIN IS EXCLUDED AND DISCLAIMED. THE IMPLIED WARRANTIES OF MERCHANTABILITY AND OF FITNESS FOR A PARTICULAR PURPOSE ARE EXPRESSLY LIMITED TO A TERM OF THREE (3) MONTHS. UNDER NO CIRCUMSTANCES SHALL WOLO BE LIABLE TO PURCHASER OR ANY OTHER PERSON FOR ANY SPECIAL OR CONSEQUENTIAL DAMAGES, WHETHER ARISING OUT OF BREACH OF WARRANTY OR OTHERWISE.

To obtain warranty service, return the product prepaid, and include the original bill of sale showing the date of purchase. Provide with the return a brief description of the problem. Also, include with the return a check or money order in the amount of \$10.00 to cover return shipping. Mail to:

Wolo Manufacturing Corp.
One Saxwood Street, Deer Park, NY 11729
Attn: Warranty Service
E-mail: tech@wolo-mfg.com